



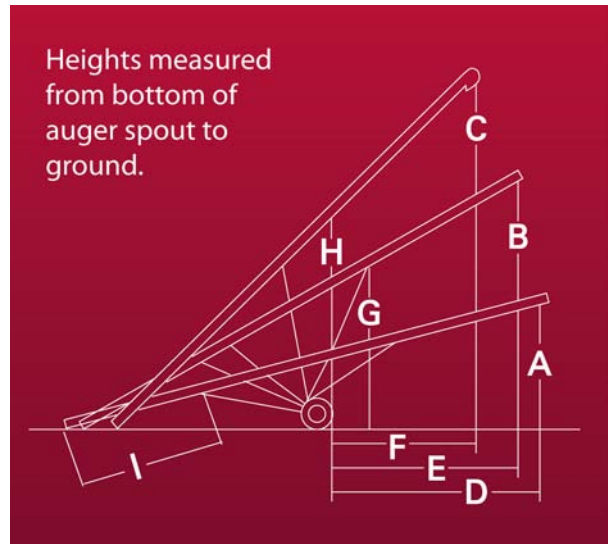
**We Make Grain
Handling
Easier.**

Introducing Wheatheart's New GHR Series Auger

- Galvanized main tube
- Painted "A" frame, steel undercarriage
- Electric motor or PTO drive option
- 8" diameter in 31', 36', 41', 46', 51', 56', 61', 71' lengths
- 10" diameter in 31', 41', 51', 61', 71' lengths

HEIGHT, REACH & WHEEL TREAD

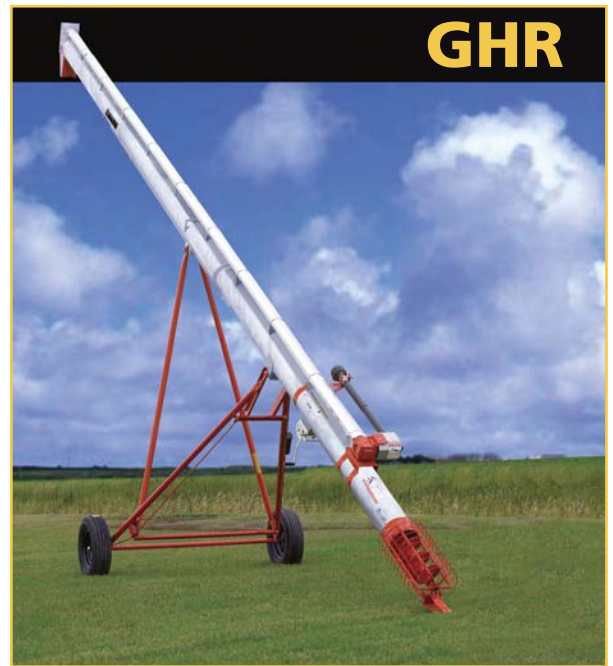
	A	B	C	D	E	F	G	H	I	WHEEL TREAD
	Height Lowered	Height Halfway	Height Raised	Reach Lowered	Reach Halfway	Reach Raised	Height at Liftarms	Height at Wheels	Intake Reach	
31'	7'8"	15'1"	21'6"	13'9"	12'0"	9'3"	8'10"	12'10"	7'8"	70"
36'	9'0"	17'4"	24'10"	16'3"	14'3"	11'2"	10'0"	14'4"	8'11"	82"
41'	9'7"	20'2"	28'7"	18'8"	16'4"	12'8"	11'6"	16'4"	10'2"	88"
46'	10'10"	22'7"	31'6"	20'11"	18'3"	14'3"	12'9"	18'1"	11'6"	88"
51'	11'11"	25'0"	35'0"	23'1"	20'2"	15'10"	14'2"	19'11"	12'10"	94"
56'	11'5"	26'0"	38'0"	25'0"	21'6"	16'2"	16'10"	23'2"	13'1"	112"
61'	11'8"	28'4"	41'0"	27'4"	24'4"	19'0"	17'2"	24'3"	16'2"	112"
71'	12'10"	33'0"	47'0"	31'8"	28'1"	22'6"	19'8"	27'6"	18'5"	118"



*The 10x51 auger has a 106" wheel tread.

AVAILABLE WITH THESE DRIVE OPTIONS

	EMD		PTO-SD	
	8"	10"	8"	10"
31'	●	●	●	●
36'	●		●	
41'	●	●	●	●
46'	●		●	
51'	●	●	●	●
56'	●		●	
61'	●	●	●	●
71'	●	●	●	●



HORSEPOWER REQUIREMENTS

Under reasonable conditions high moisture grain will require more horsepower

	8"		10"	
	PTO H.P.	ELEC. H.P.	PTO H.P.	ELEC. H.P.
31'	-	5	30	7.5-10
36'	-	5-7.5	-	-
41'	-	5-7.5	40	10-15
46'	-	7.5	-	-
51'	-	7.5	45	15-20
56'	30	10	-	-
61'	35	10	55	20
71'	45	15	60	20-25



Remember:

Do not operate equipment with safety devices removed



Wheatheart
A Division of Ag Growth Industries

Sold and Serviced By:

P.O. Box 39,
Rosenort, MB
ROG 1W0

Toll Free (866) 467-7207
Phone (204) 746-2396
Fax (204) 746-2679

Email: sales@wheatheart.com