



1000 RPM PTO DRIVE KIT [A262] FOR MKX130, X130, HX130 SERIES AUGER MODELS INSTALLATION INSTRUCTIONS



Read and understand the safety information in the auger manual before proceeding. We recommend that two or more people be present for this procedure.



Read and understand the instructions in this manual before attempting to install this product.



Refer to the auger manual for operation instructions.

Note: *In this manual, left hand and right hand directions apply when looking at the boot from the tow bar end.*

AUGER PREPARATION FOR KIT INSTALLATION

Note: *When installing kit during assembly of a NEW auger, steps 1-10 may not apply.*

1. Lower auger to full down position.
2. Chock auger wheels to prevent rolling.
3. Remove tractor from auger.
4. Lower swing hopper fully to the ground.
5. Support auger boot securely with front end loader and strong sling or chain, or with block and tackle.
6. Remove PTO driveline from auger.
7. Loosen bolts and nuts, remove PTO saddle bracket from boot.
8. Remove sprocket guard from boot.
9. Remove sprockets, bearing, and lock collar from boot.
10. Loosen bolts and nuts, remove bearings and washer from boot.

Note: *Don't remove the square keys from the flighting or top gearbox shaft. Make sure there is nothing left on the boot face (see Figure 1).*

Westfield | Wheatheart

part of the Ag Growth International group
P.O. Box 39, Rosenort, Manitoba, R0G 1W0 Canada
Ph: (866) 467-7207 or (204) 746-2396 Fax: (866) 768-4852
Website: www.grainaugers.com | www.wheatheart.com
Email: sales@grainaugers.com | sales@wheatheart.com

Hutchinson | Mayrath

part of the Ag Growth International group
514 W. Crawford St., Clay Center, Kansas, 67432 USA
Ph: (800) 523-6993 or (785) 632-2161 Fax: (785) 632-5964
Website: www.hutchinson-mayrath.com
Email: sales@hutchinson-mayrath.com

© Ag Growth International Inc. 2018

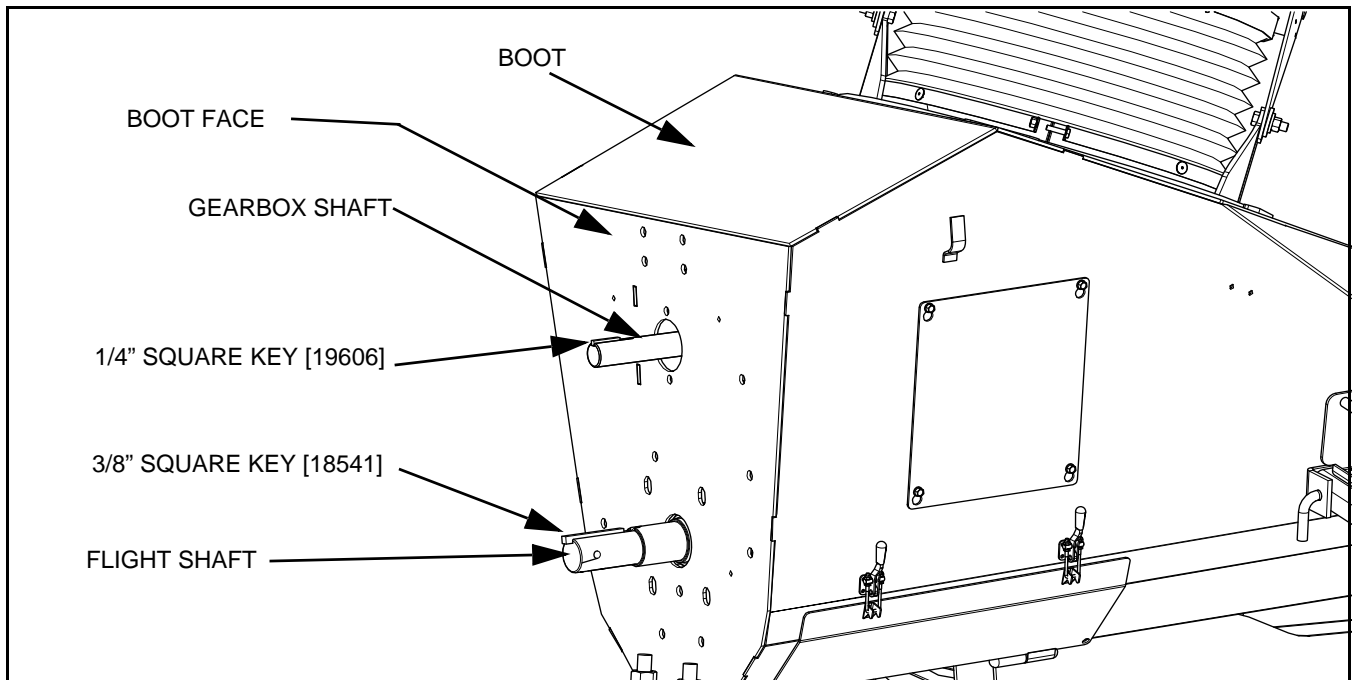


Figure 1 Auger Preparation for Kit Installation

INSTALLATION

Note: *The gearbox has been filled at the factory (1/4 full) with 75W90 synthetic oil (or equivalent). Before further installation, remove the oil filler plug to the right of the lower flighting gearbox shaft and check the oil level to make certain the gearbox is 1/4 full (up to this filler plug), as required. Add oil if necessary. The gearbox should be upright and level when checking or adding oil. **Do not overfill.** Do not use grease.*

1. Slide boot-sealing plate over the shafts and leave hanging loosely against the boot face (see Figure 2).
2. Ensure that square keys are installed correctly on both shafts.
3. Rotate shafts so that the keys align with the gearbox keyways.
4. Face the flat side of the gearbox to the front plate of boot. Slide the gearbox onto flight shaft and gearbox shaft until the flat surface of the gearbox touches the front plate of boot.
5. Use the upper and lower four holes on the boot face, to connect the gearbox to the boot with four 1/2" x 7" mounting bolts and nuts. Tighten bolts and nuts securely. Ensure nuts are tightened evenly and the gearbox is seated tightly against the boot.
6. Insert 1-1/4" short plug shaft into the upper hole in the gearbox. Secure with a set screw.
7. Insert 1-3/4" short plug shaft into the lower hole in the gearbox. Secure with a set screw.

Note: *Secure the set screws inside the shafts to gearbox.*

8. Put the other four 1/2" x 7" mounting bolts through shield bracket, gearbox, and front plate. Connect bolts with 1/2" locknuts. Tighten bolts and nuts securely.
9. Install PTO shield onto shield bracket with three 5/16" x 3/4" bolts and nuts. Tighten bolts and nuts securely. Secure the right hand side shield with a 3/16" x 1-1/4" hair pin through the snap pin.

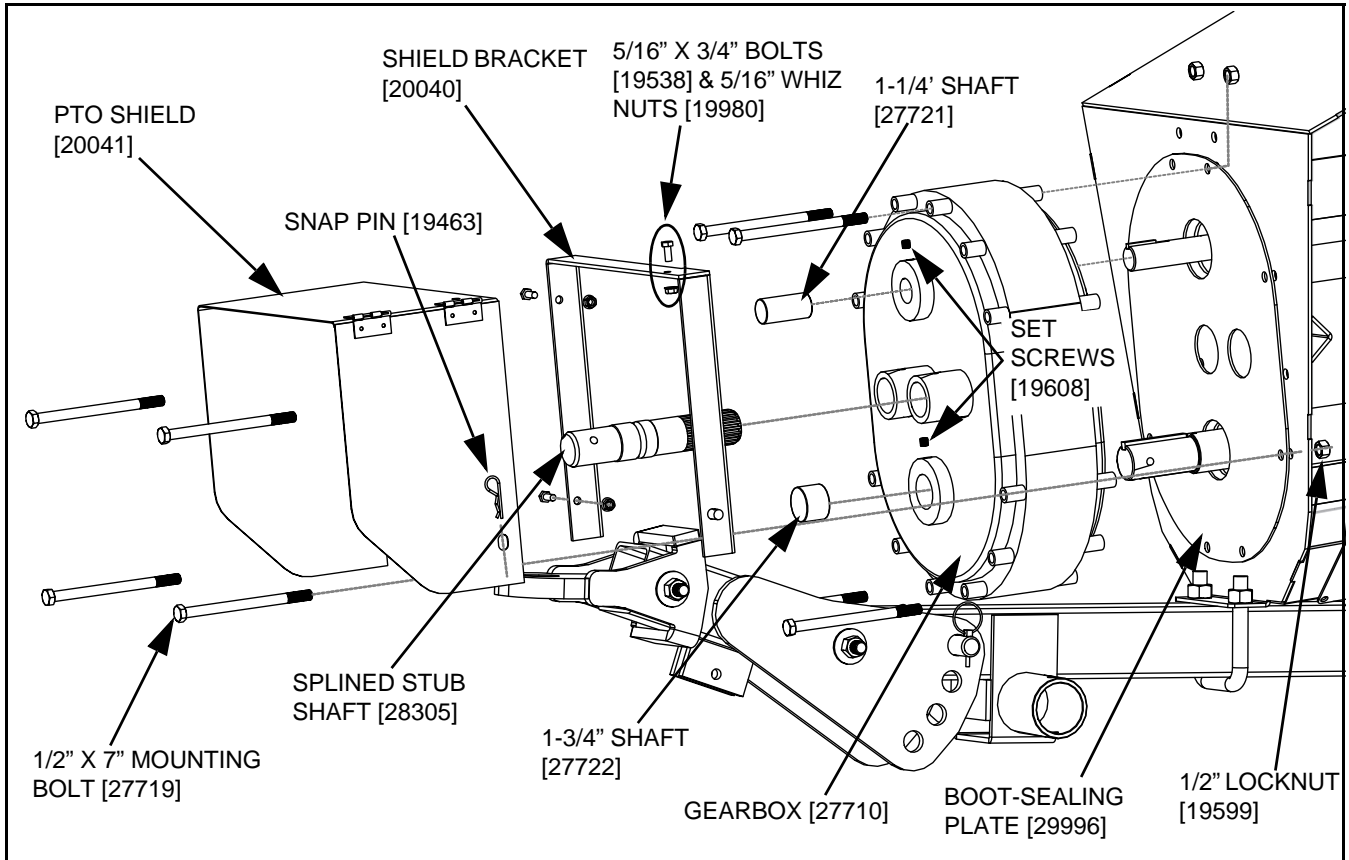


Figure 2 1000 RPM PTO Drive (Speed Reducer Gearbox) Installation

10. Attach PTO bracket to boot with two 1/2" x 1-1/2" bolts and nuts. Tighten securely (see Figure 3).

11. Install the double hose holder to the PTO bracket with 3/8" x 1" bolt and 3/8" hex nut. Tighten securely.

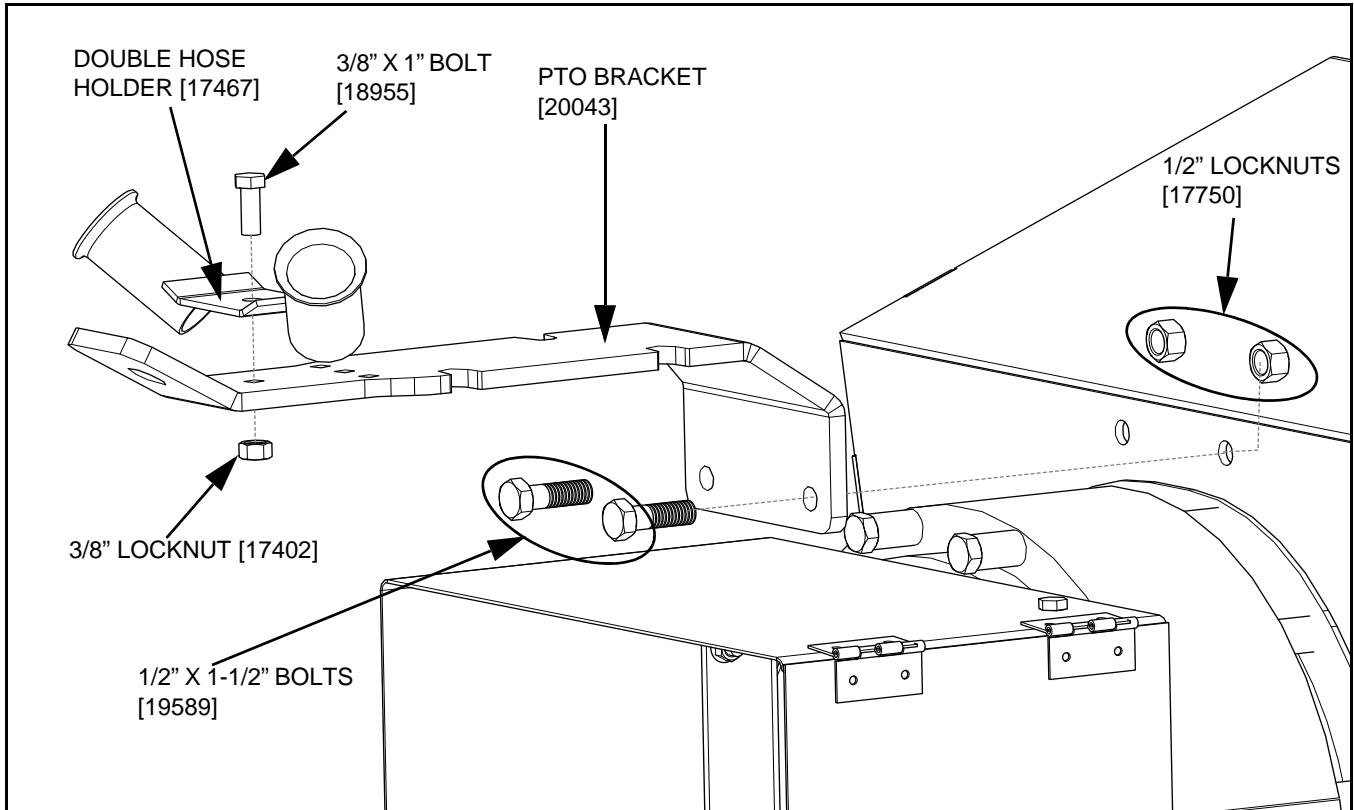


Figure 3 Installing PTO Bracket and Double Hose Holder

Note: Support boot securely so that the tow bar can be repositioned.

12. Remove the 3/4" x 5-1/2" bolt from tow bar (see Figure 4).
13. Loosen the two u-bolt 3/4" locknuts until the tow bar can move freely.
14. Slide the tow bar out of the boot channel until the hole in the tow bar lines up with the last hole (closest to the intake end of the auger) in the boot channel.
15. Insert the 3/4" x 5-1/2" bolt through the last hole in the boot channel bolt hole and secure the bolt with a 3/4" locknut.
16. Tighten the two u-bolt 3/4" locknuts fully.

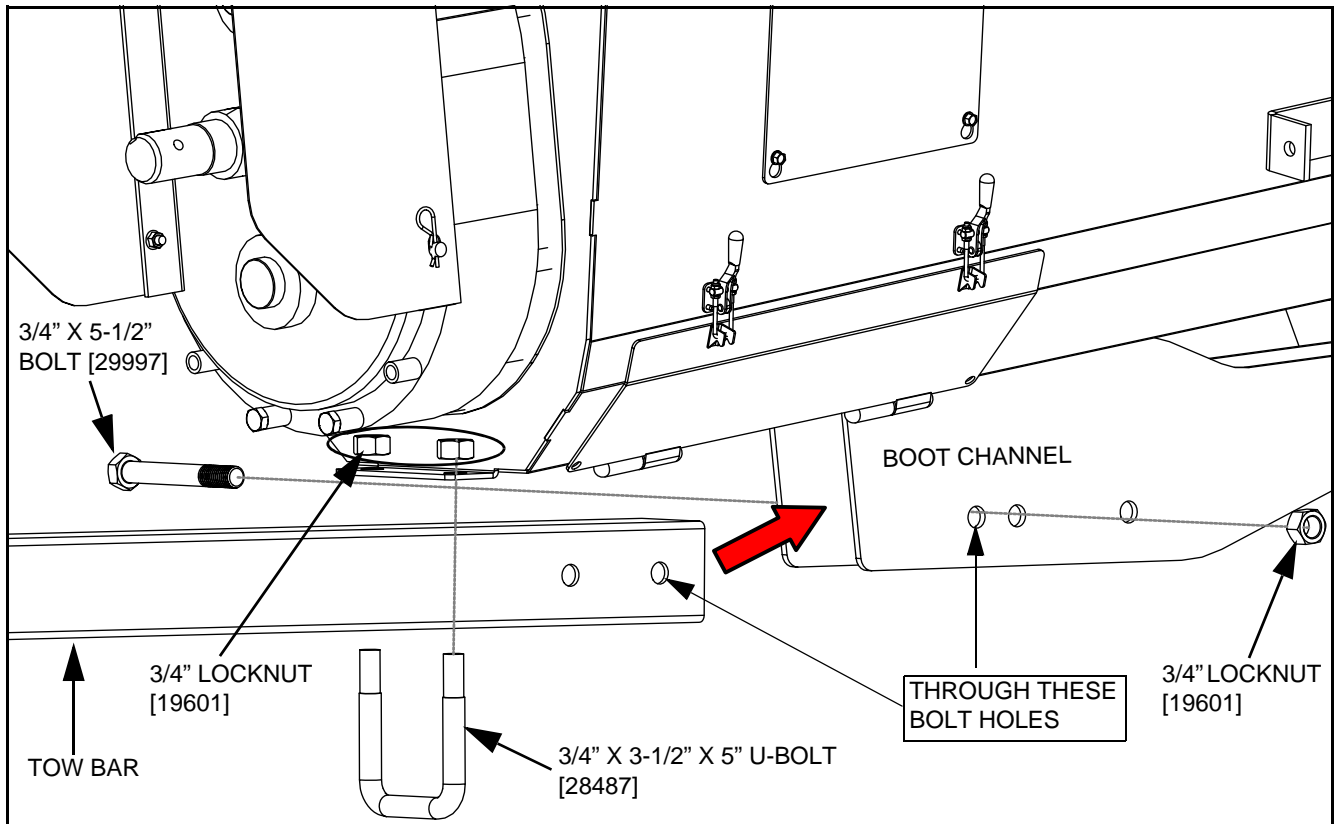


Figure 4 Installing Tow Bar

17. Re-install PTO driveline to splined stub shaft in the gearbox using existing 3/8" x 1-3/4" square key and 3/8" roll pin. **Tighten set screws securely.**
18. Remove chocks from the wheels.
19. Remove the plug on the top of the gearbox and install the breather vent in the threaded plug hole.

NOTICE

Ensure the breather vent is installed, or excessive internal air pressure may cause damage to the gearbox during operation.