



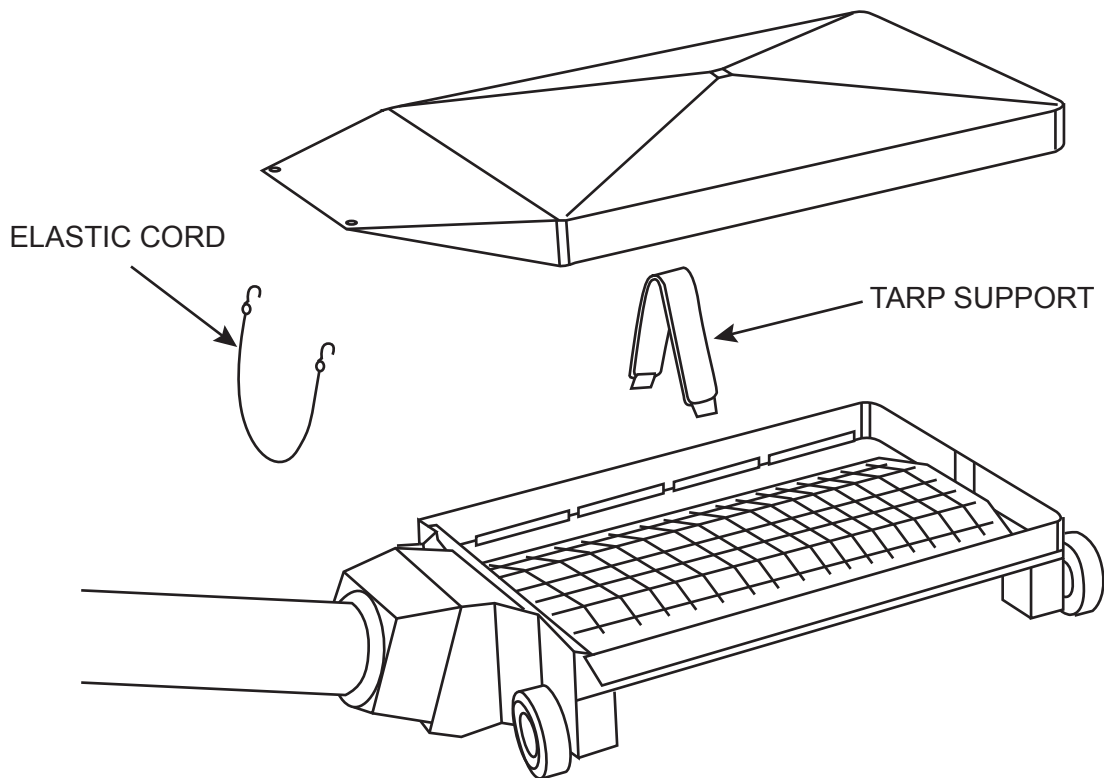
LOW PROFILE HOPPER TARP (A184)

For MKX/X100 and MKX/X130 Series Auger Models

How to attach Hopper Tarp:

1. Attach the tarp support by locking it into the centre of the hopper shield mesh. The tarp support forms a peak in the tarp for better water run-off
2. Pull the tarp over the hopper and attach the elastic cord around the bottom of the swing tube and hook each end of the cord into the grommets.
3. For transport with the tarp on, remove the front corner just enough to hook up the hopper lift cable.

NOTE: The tarp support is easily removed when the low profile hopper is needed.



Westfield | Wheatheart
part of the Ag Growth International Group
P.O. Box 39, Rosenort, Manitoba, R0G 1W0 Canada Phone: (866) 467-7207 Fax: (866) 768-4852
Website: www.grinaugers.com | www.wheatheart.com Email: sales@grinaugers.com | sales@wheatheart.com
©Ag Growth International Inc. 2018

Part Number: 30824 R1
Revised: Oct 2018