



HYDRAULIC VALVE KIT [A336/A335] MKX100, MKX130, X100, X130, HX130 SERIES AUGER MODELS INSTALLATION INSTRUCTIONS



Read and understand the safety information in the auger manual before proceeding.



Read and understand the instructions in this manual before attempting to install this product.



Refer to the auger manual for operation instructions.

PRE-INSTALLATION INSTRUCTIONS

- Familiarize yourself with all the required hardware. Kit A336 is for MKX100 and X100 augers. Kit A335 is for MKX130, X130, and HX130 augers.
- Arrange all parts for easy access.

HYDRAULIC VALVE INSTALLATION

Refer to Figure 1 and Figure 2 for assembly detail.

1. Replace the existing PTO bracket with the longer PTO bracket.
2. Remove the double hose holder from the existing PTO bracket and attach it to the longer PTO bracket.
3. Mount the hydraulic winch valve to the PTO bracket using the saddle pin and grip clip.
4. Connect the hydraulic hoses between the control valve and the winch.

Westfield | Wheatheart

part of the Ag Growth International group
P.O. Box 39, Rosenort, Manitoba, R0G 1W0 Canada
Ph: (866) 467-7207 or (204) 746-2396 Fax: (866) 768-4852
Website: www.grainaugers.com | www.wheatheart.com
Email: sales@grainaugers.com | sales@wheatheart.com

Hutchinson | Mayrath

part of the Ag Growth International group
514 W. Crawford St., Clay Center, Kansas, 67432 USA
Ph: (800) 523-6993 or (785) 632-2161 Fax: (785) 632-5964
Website: www.hutchinson-mayrath.com
Email: sales@hutchinson-mayrath.com

© Ag Growth International Inc. 2018

PART NUMBER: 30984 R2
REVISED: 9/2/18

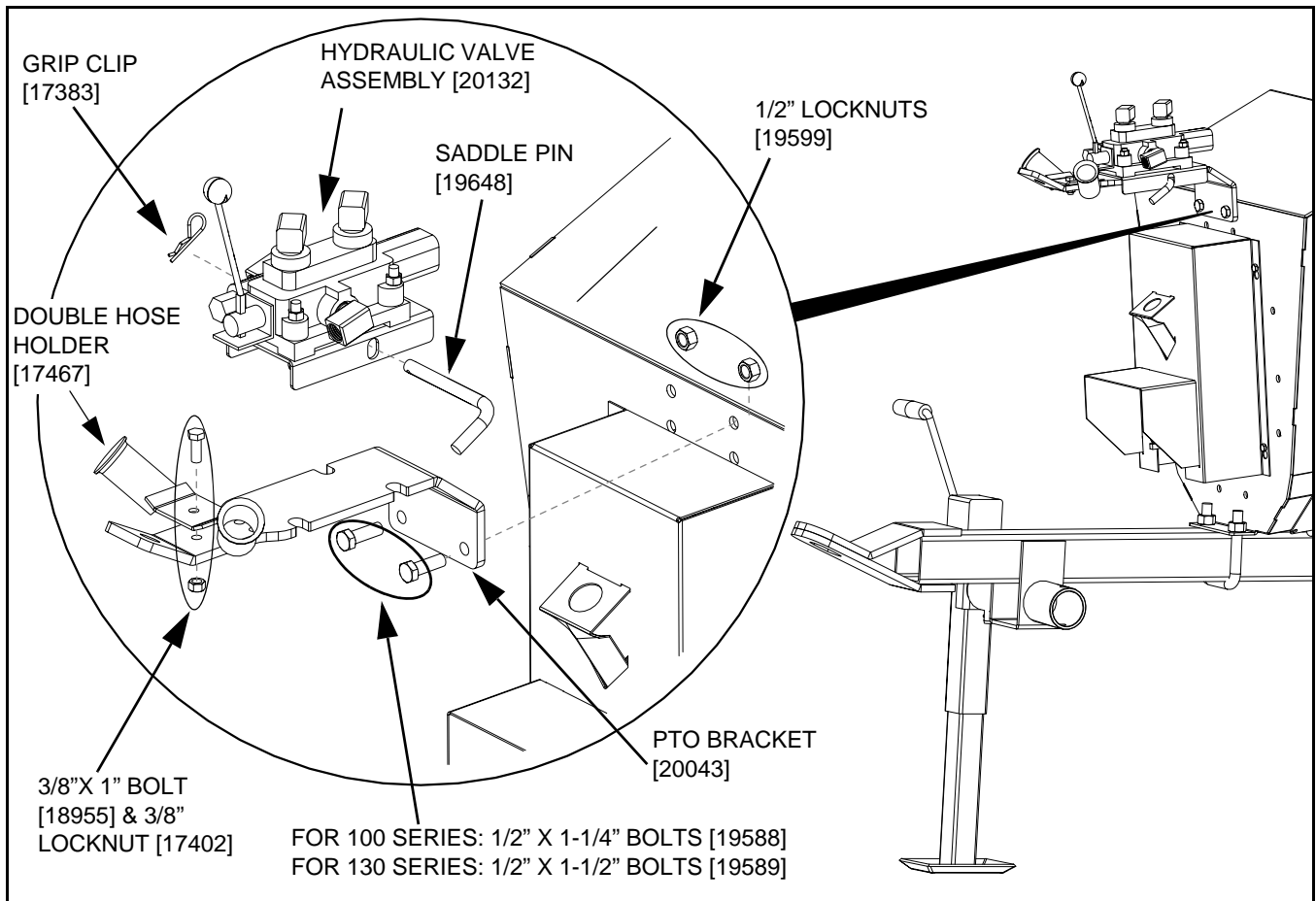
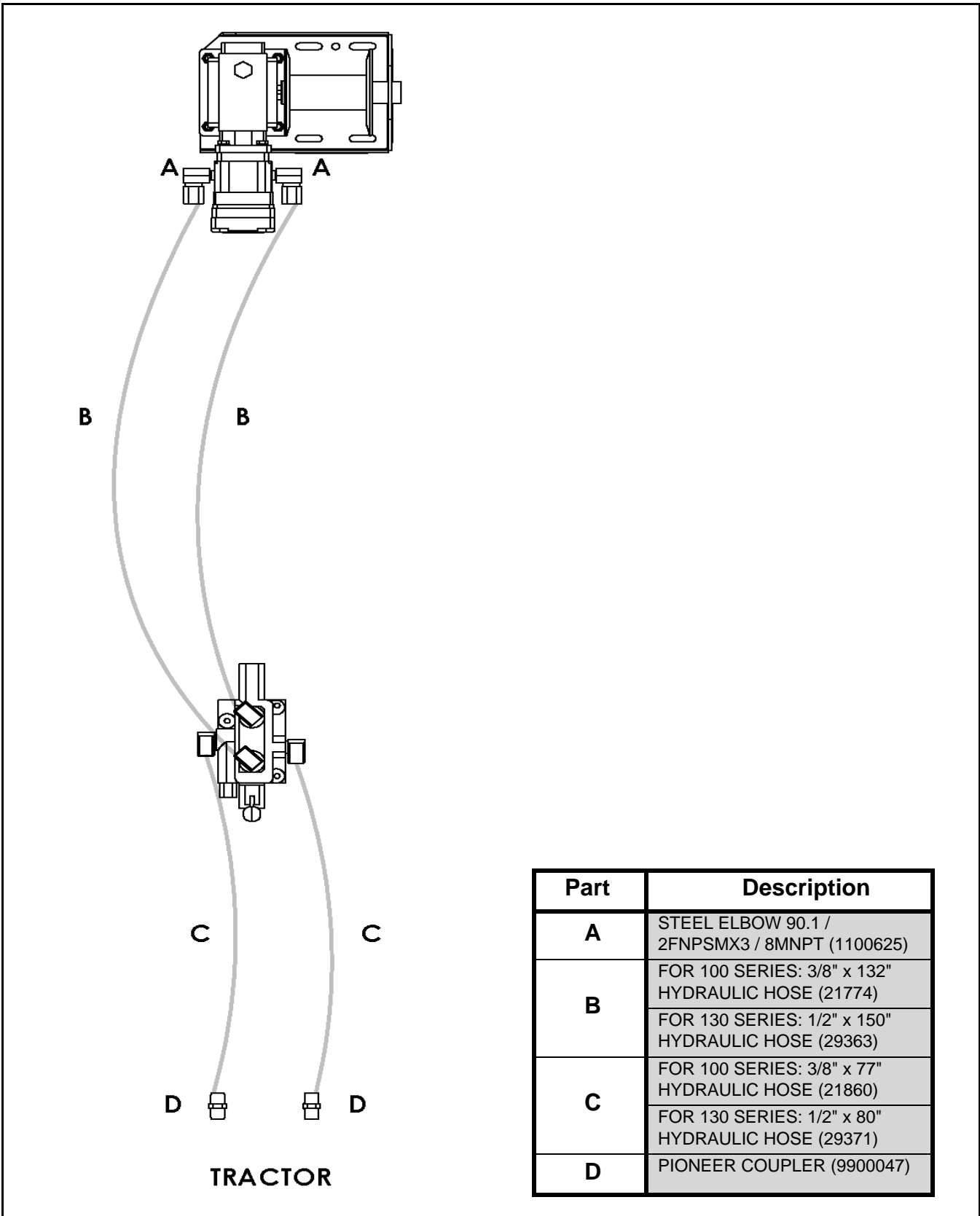


Figure 1 Installing the Hydraulic Winch Valve and PTO Bracket



Part	Description
A	STEEL ELBOW 90.1 / 2FNPSMX3 / 8MNPT (1100625)
B	FOR 100 SERIES: 3/8" x 132" HYDRAULIC HOSE (21774)
	FOR 130 SERIES: 1/2" x 150" HYDRAULIC HOSE (29363)
C	FOR 100 SERIES: 3/8" x 77" HYDRAULIC HOSE (21860)
	FOR 130 SERIES: 1/2" x 80" HYDRAULIC HOSE (29371)
D	PIONEER COUPLER (9900047)

Figure 2 Installing the Hydraulic Hose Between the Control Valve and Winch