

LOW PROFILE HOPPER TARP [A305] FOR MKX160 AND X160 SERIES AUGER MODELS

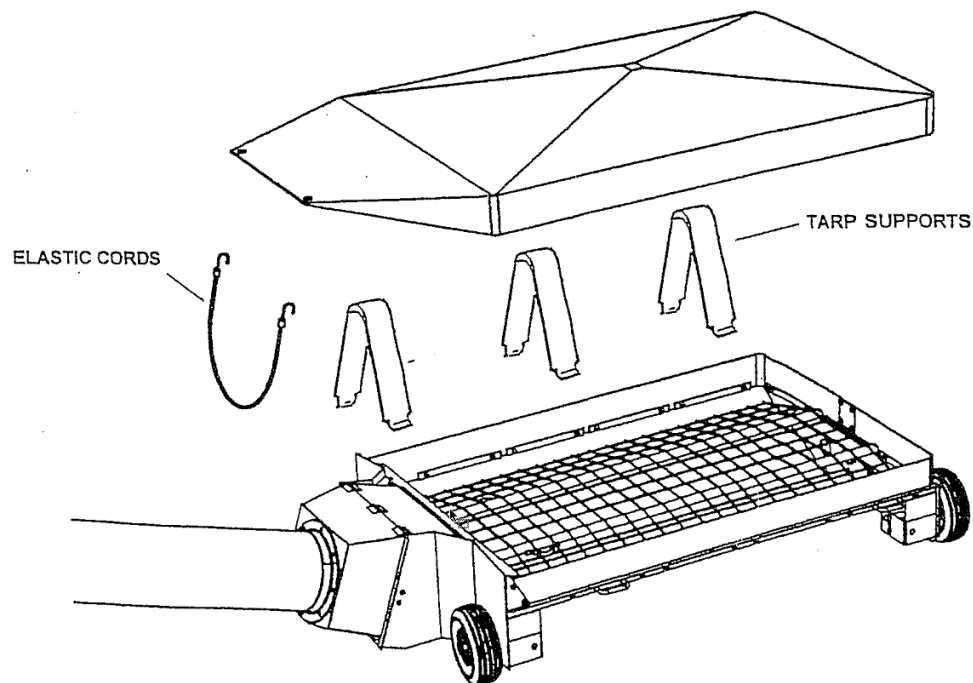
TO ATTACH THE HOPPER TARP

1. Attach three tarp supports by locking them into place on both ends and in the centre of the hopper shield mesh.

Note: *The tarp supports form a peak in the tarp for better water run-off.*

2. Pull the tarp over the hopper and secure it with two elastic cords fastened end-to-end around the bottom of the swing tube, then hooked into the tarp grommets.
3. For transport with the tarp on, shift the front corner of the tarp just enough to connect the hopper lift cable.

Note: *The tarp and tarp supports must be removed during hopper use.*



Westfield | Wheatheart
part of the Ag Growth International Inc. Group
P.O. Box 39, Rosenort, Manitoba, Canada R0G 1W0 Ph: (866) 467-7207 Fax: (866) 768-4852
Website: www.grainaugers.com | www.wheatheart.com Email: sales@grainaugers.com | sales@wheatheart.com
© Ag Growth International Inc. 2015



PART NUMBER: 30959 R0
REVISED: 18/12/15