

WHEATHEART

WATERSPIKE KIT

**ALL MODELS
ASSEMBLY MANUAL**



Read this manual before using product. Failure to follow instructions and safety precautions can result in serious injury, death, or property damage. Keep manual for future reference.

Part Number: 2300084 R0

Revised: Jan/10

AGI
AG GROWTH INTERNATIONAL

TABLE OF CONTENTS

1. Assembly	5
1.1. Water Spike Valve Assembly	5
1.2. Water Spike Pump and Tank Assembly	7
1.3. Setting Hydraulic and Water Relief Valves.....	10
2. Appendix.....	13
Warranty Registration	17
Limited Warranty	19

1. Assembly

1.1. WATER SPIKE VALVE ASSEMBLY

Note: *For detailed parts descriptions, see Section 2.*

See Figure 1.1 and Figure 1.2.

1. Remove the 2 plugs and install the 90° swivel fitting (1) into the existing valve (2).
2. Install the power beyond fitting (3) into the valve (2), then thread the ORB to JIC fitting (4) into the power beyond fitting (3). Thread the swivel fitting (5) to the single spool valve (6).
3. Thread the single spool valve (6) with the swivel fitting (5) to the ORB to JIC fitting (4) so that the valve handle on the single spool valve (6) is parallel with the handles on the existing control valve (2).
4. Remove the two 5/16" nuts (7) and place the single spool valve mount (8) on the 5/6 spool valve mount (14) and replace the nuts (7). Do not tighten nuts. Insert two 5/16" x 2" bolts (9) through the single spool valve and loosely attach the nuts (10). Slide the mount (8) until its edge is flush with the single spool valve (6) and tighten the nuts (7, 10).
5. Thread the two 45° elbow fittings (11) and the 90° fitting (12) into the single spool valve (6).
6. Install the 1/2" x 16" hose (1) to the two 90° fittings (2, 3) (See Figure 1.2).

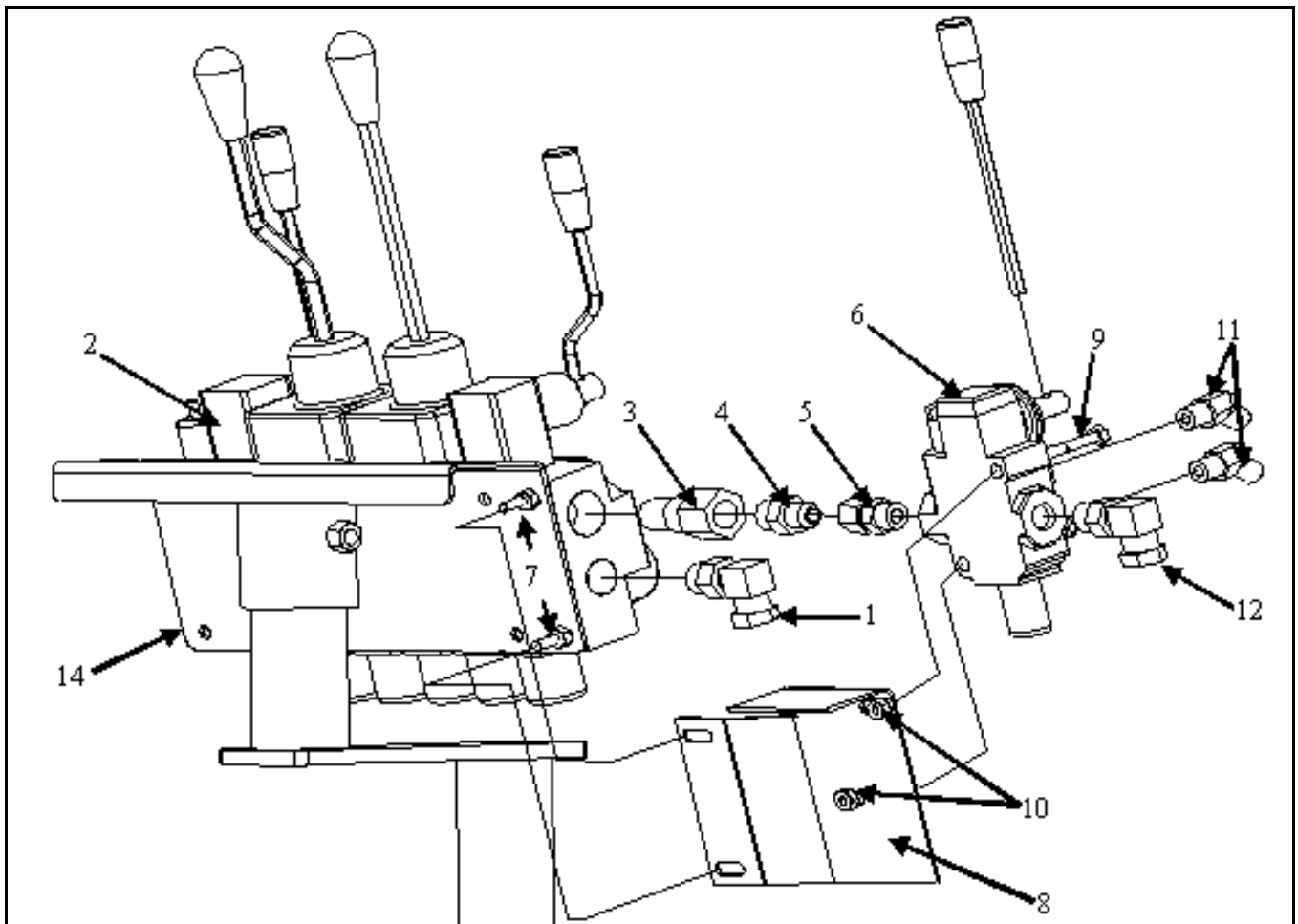


Figure 1.1 Single Spool Valve Assembly Diagram

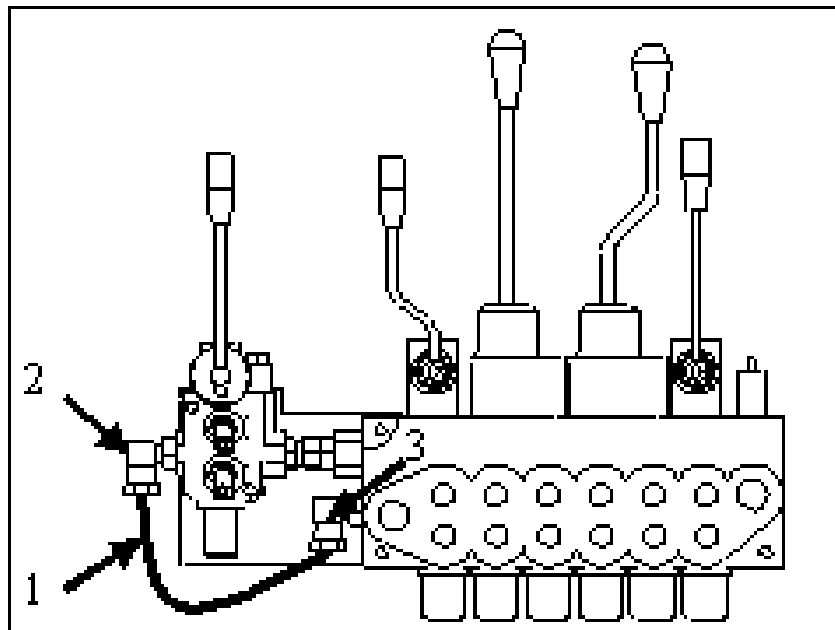


Figure 1.2 Single Spool Valve Hose

1.2. WATER SPIKE PUMP AND TANK ASSEMBLY

1. Place the hydraulic motor sleeve (1) over the shaft of the hydraulic motor (2). Then using five M6 x 1 x 20 GR8 bolts (3) and 1/4" lock washers (4), attach the 8-hole motor/pump adapter (5) to the hydraulic motor (2) (Figure 1.3).
2. Using two 5/16" x 1-1/2" bolts (6) and ten 1/4" flat washers (7), attach the 7-hole motor/pump adapter (8) to the 8 hole motor/pump adapter (5) (Figure 1.3).
3. Attach the hydraulic motor (2), with adapters, to the pump (9) using four M6 x 1 x 18 socket head bolts (10) (Figure 1.3).
4. Thread the two 45° elbow fittings (11) into the hydraulic motor (2). Thread the hydraulic tee fitting (13) into the pump (9), then install the water pump gauge (12) to the hydraulic tee fitting (13). Install the 90° elbow fitting (14) into the pump (9) (Figure 1.3).

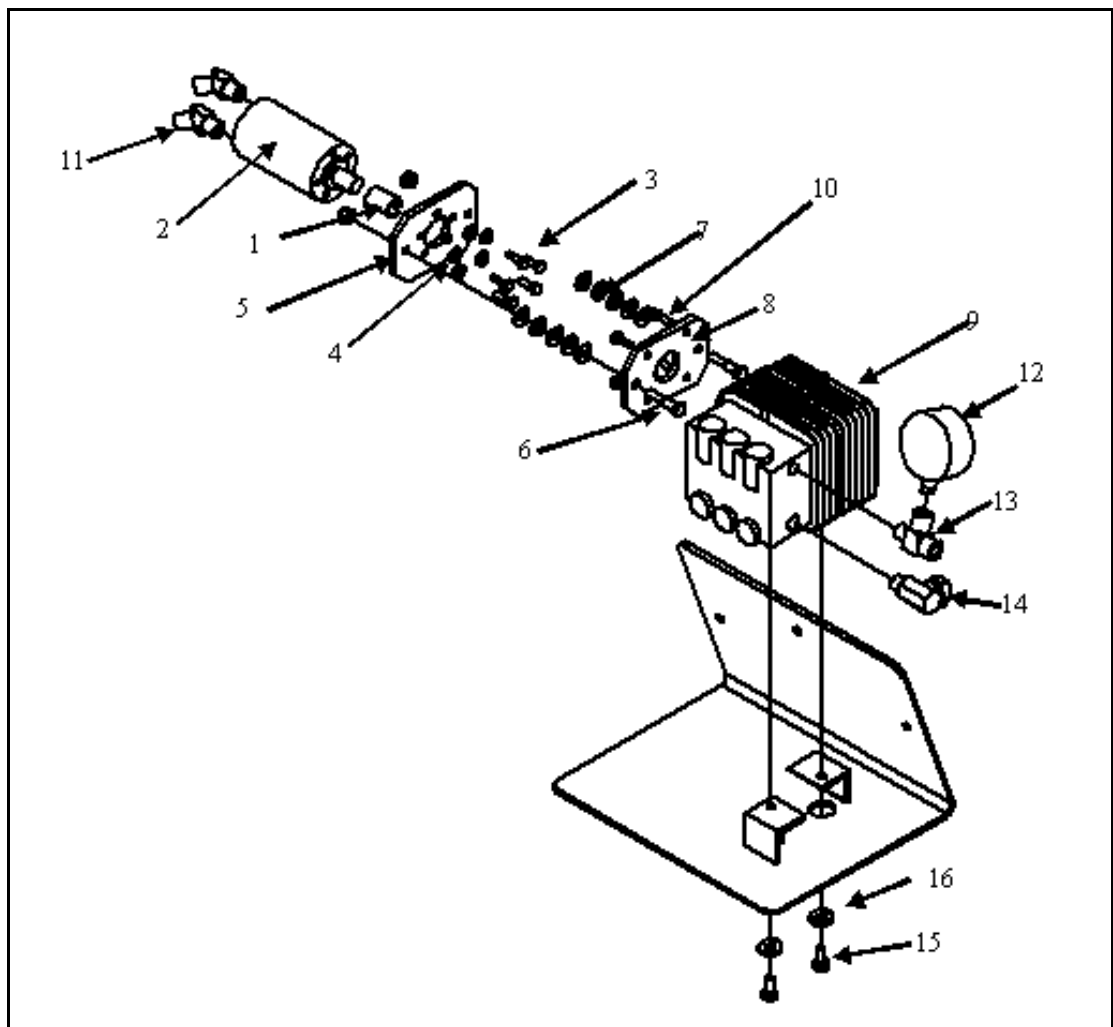


Figure 1.3 Water Spike Pump Assembly

5. Install the relief valve (1) on the pump (Figure 1.4).
6. Place the pump/motor mounting bracket (2) against the post bin (3) leaving a 1" space from the edge with the rounded bend of the mounting bracket (2) resting on the welded ledge. Mark the position of the holes. Using a 3/8" drill bit, drill out the three holes (Figure 1.4).

7. Attach the mounting bracket (2) to the post bin (3) using three $3/8"$ x $1-1/4"$ hex bolts (4) and nuts (Figure 1.4).
8. Mount the motor/pump assembly to the bracket using two M8 x 1 x 20 GR8 bolts (15) and two $5/16"$ flat washers (16) (Figure 1.4).
9. Position the hose protector (5) along the edge of the post bin (3) and mark the position of the holes. The top mounting bracket on the hose protector (5) should sit flat against the bottom of the post bin (3), and the inside edge should be flush with the edge of the post bin (3). Drill the two $3/8"$ holes (Figure 1.4).

Note: *The top hole should be approximately $1/2"$ from the edge of the post bin.*

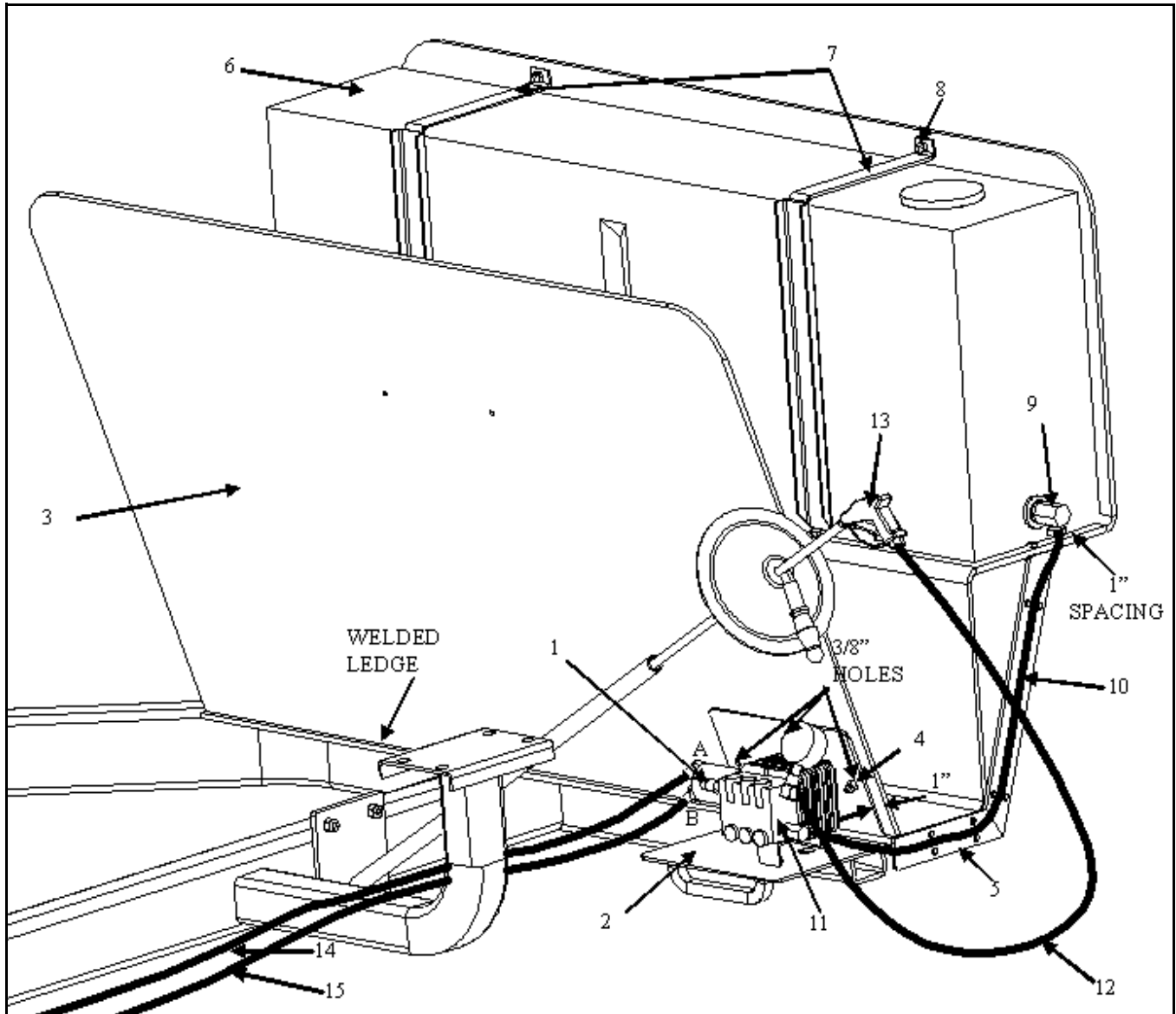


Figure 1.4 Water Spike Pump and Tank Assembly

10. Fasten the hose protector (5) to the post bin (3) using two $3/8"$ x $1-1/4"$ bolts.
11. Insert the 90° elbow fitting (9) into the tank (Figure 1.4).

12. Place the tank (6) on the post bin leaving approximately 1" between the edge of the bin and the tank. Position the tank straps (7) over the tank so they cover the 2 outer recessions in the tank. Mark and drill the 4 holes using a 3/8" drill bit. Make sure that the straps are positioned to hold the tank on tight (Figure 1.4).

Note: *The fitting on the tank should be positioned so that when the hose is attached, it will be flush with the edge of the hose protector.*

13. Using four 3/8" x 1-1/4" bolts and nuts (8), fasten the tank (6) to the post bin (3) (Figure 1.4).
14. Attach the wand mount (1) to the frame of the post-pounder using two 5" u-bolts. The edge of the mounting plate and the engine mount tube should be spaced at a distance of 4" (Figure 1.5).
15. Attach the 1/2" x 34" hose (10) to the water tank (6) and the intake of the pump (11). Fasten the hose (10) to the hose protector (5) (Figure 1.4).
16. Attach the 1/4" x 120" hose (12) to the wand (13) and the output of the pump (11) (Figure 1.4).
17. Attach the 3/8" x 78" hose (14) to the top 45° elbow fitting on the single spool valve and the other end to fitting A on the hydraulic motor. Attach the 3/8" x 80" hose (15) to the bottom 45° elbow fitting on the single spool valve, then attach the other end to fitting B on the hydraulic motor (Figure 1.4).

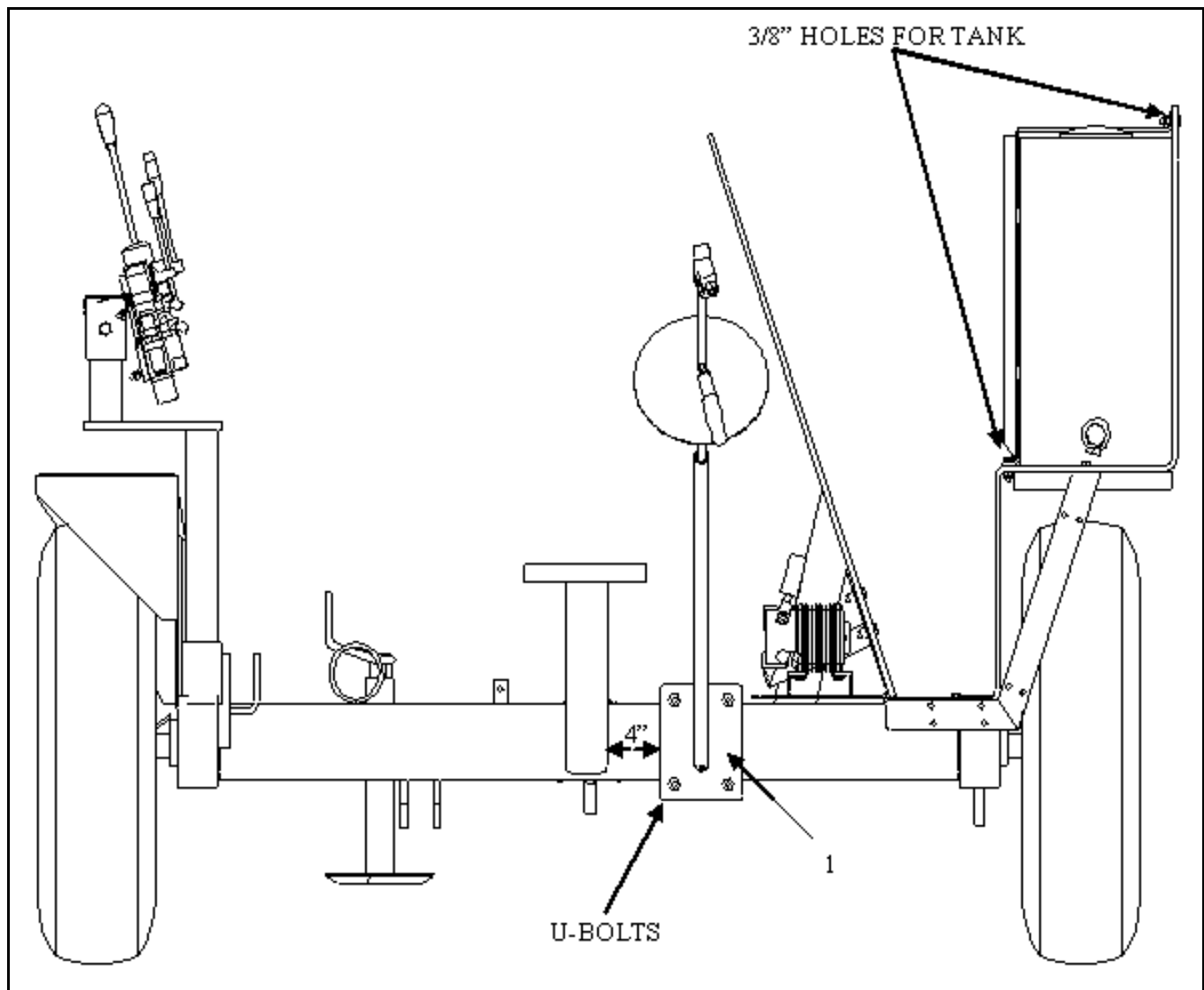


Figure 1.5 Tank and Wand Assembly

1.3. SETTING HYDRAULIC AND WATER RELIEF VALVES

1. Use a 5/32" and a 1/4" Allen wrench to loosen the relief valve set screws on the single spool valve (Figure 1.6) and the water pump (Figure 1.7), to ensure that the pressure is at a minimum.
2. Place the end of the wand into a pail of water and open the single spool valve to test the water spike. The pressure on the gauge should be between 1800-2000 psi.
3. If the pressure is below this, adjust the set screws by turning them clockwise.

Note: Turn the set screws in small amounts, otherwise the pressure may become too great, resulting in damage to the pressure gauge. Ideally, when the handle on the wand is released, the relief valve on the water pump should spurt some water.

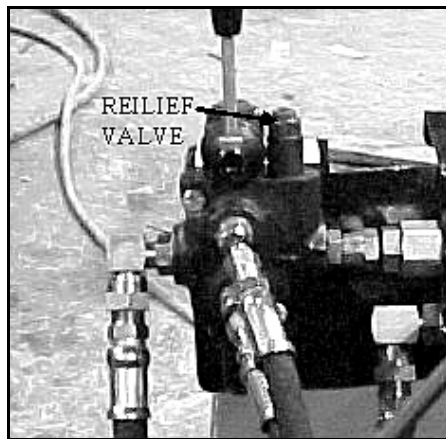


Figure 1.6 Single Spool Relief Valve

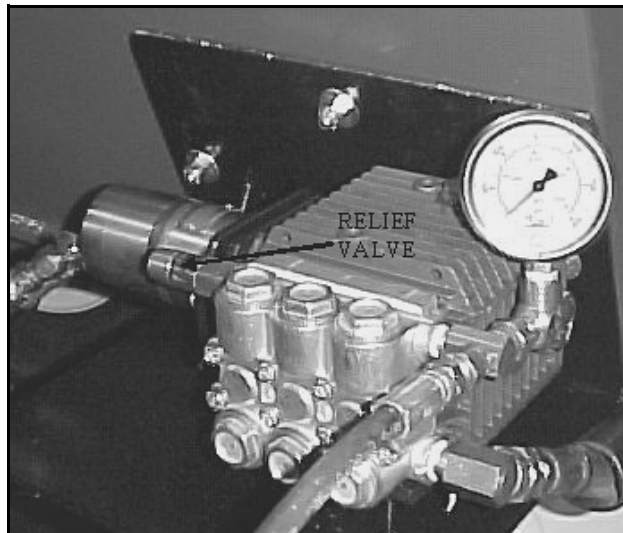


Figure 1.7 Pump Relief Valve

2. Appendix

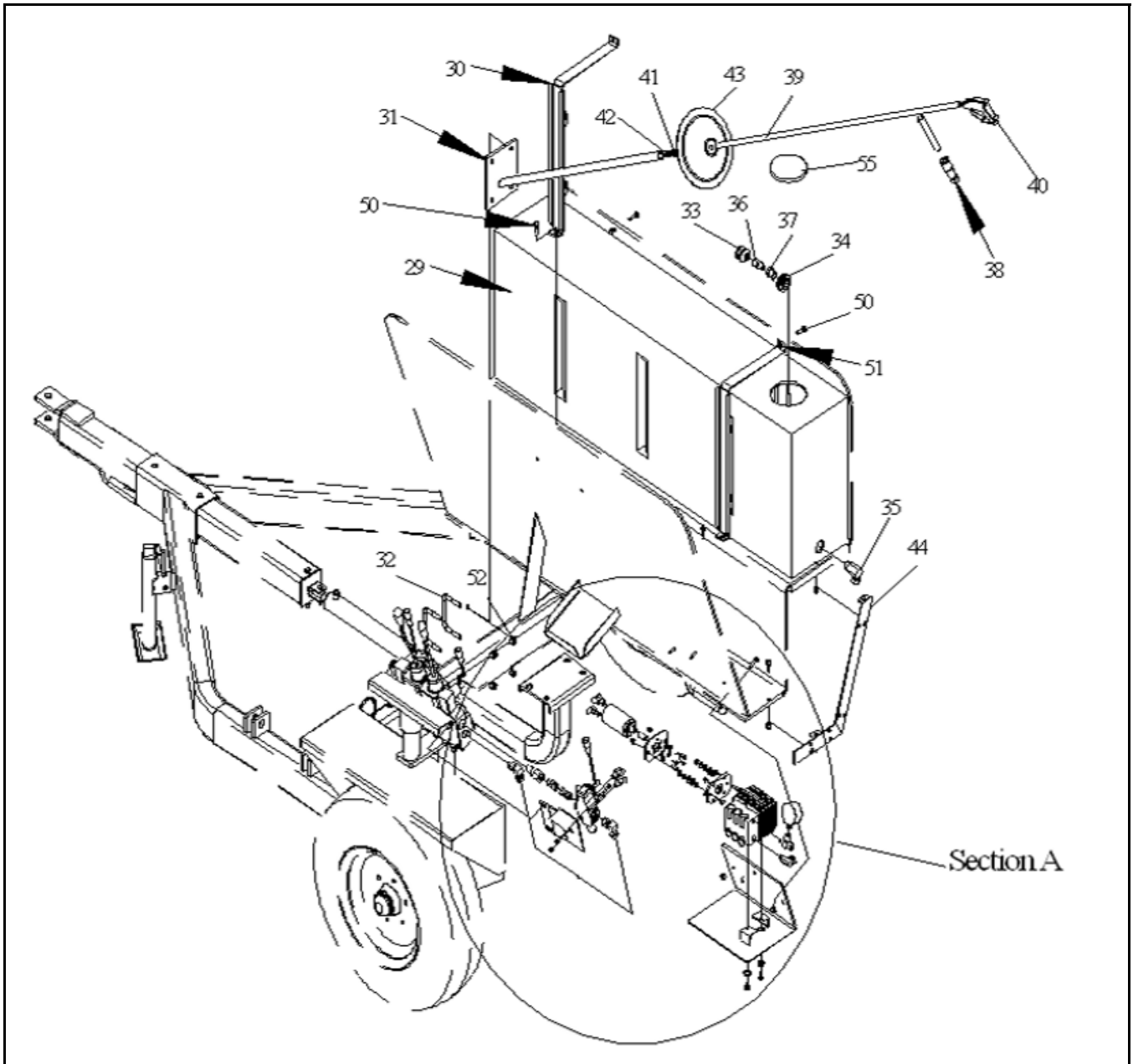


Figure 2.1 Parts Diagram for Water Spike Kit

Note: See Figure 2.2 for a diagram of Section A.

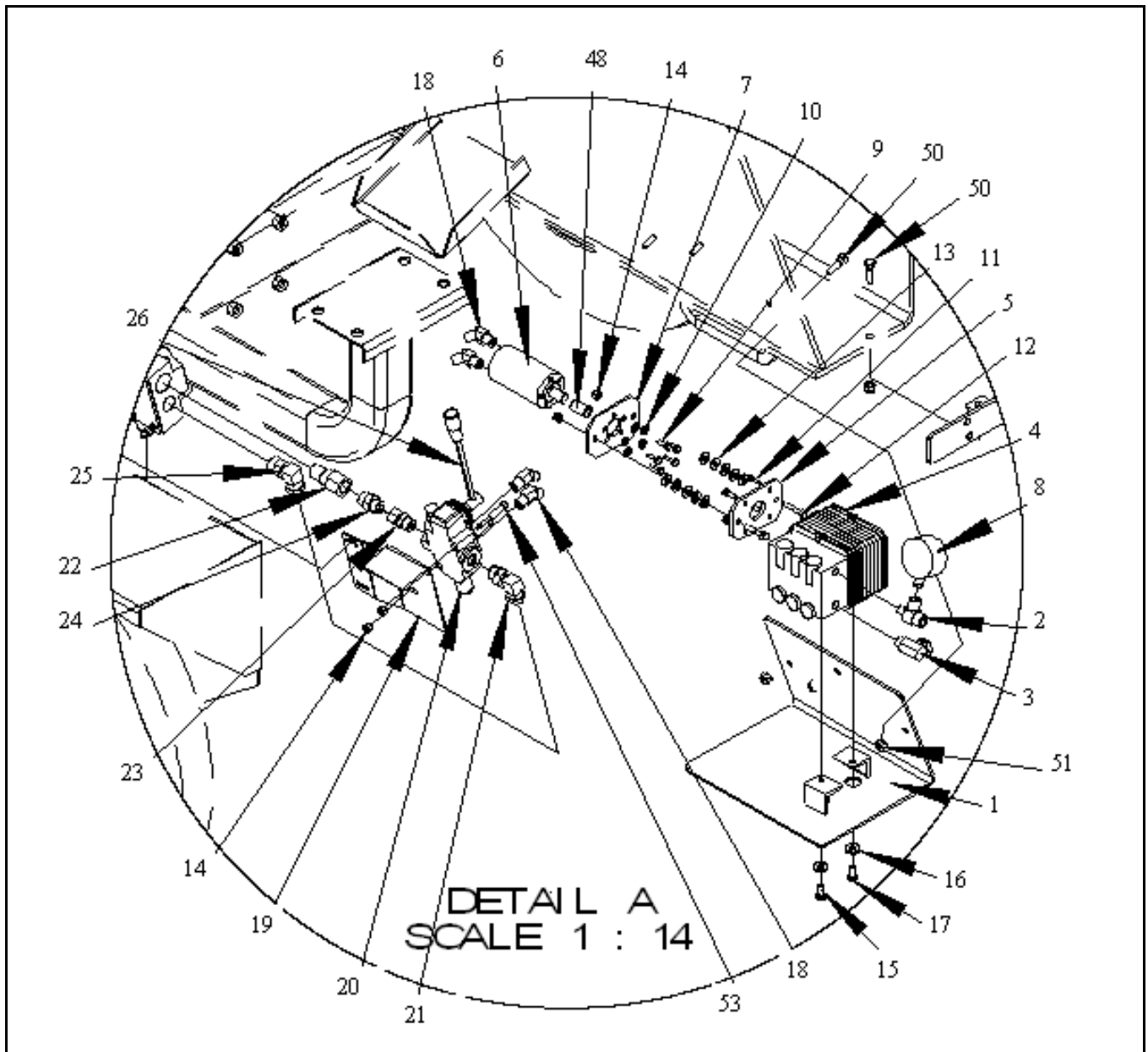


Figure 2.2 Section A of Parts Diagram

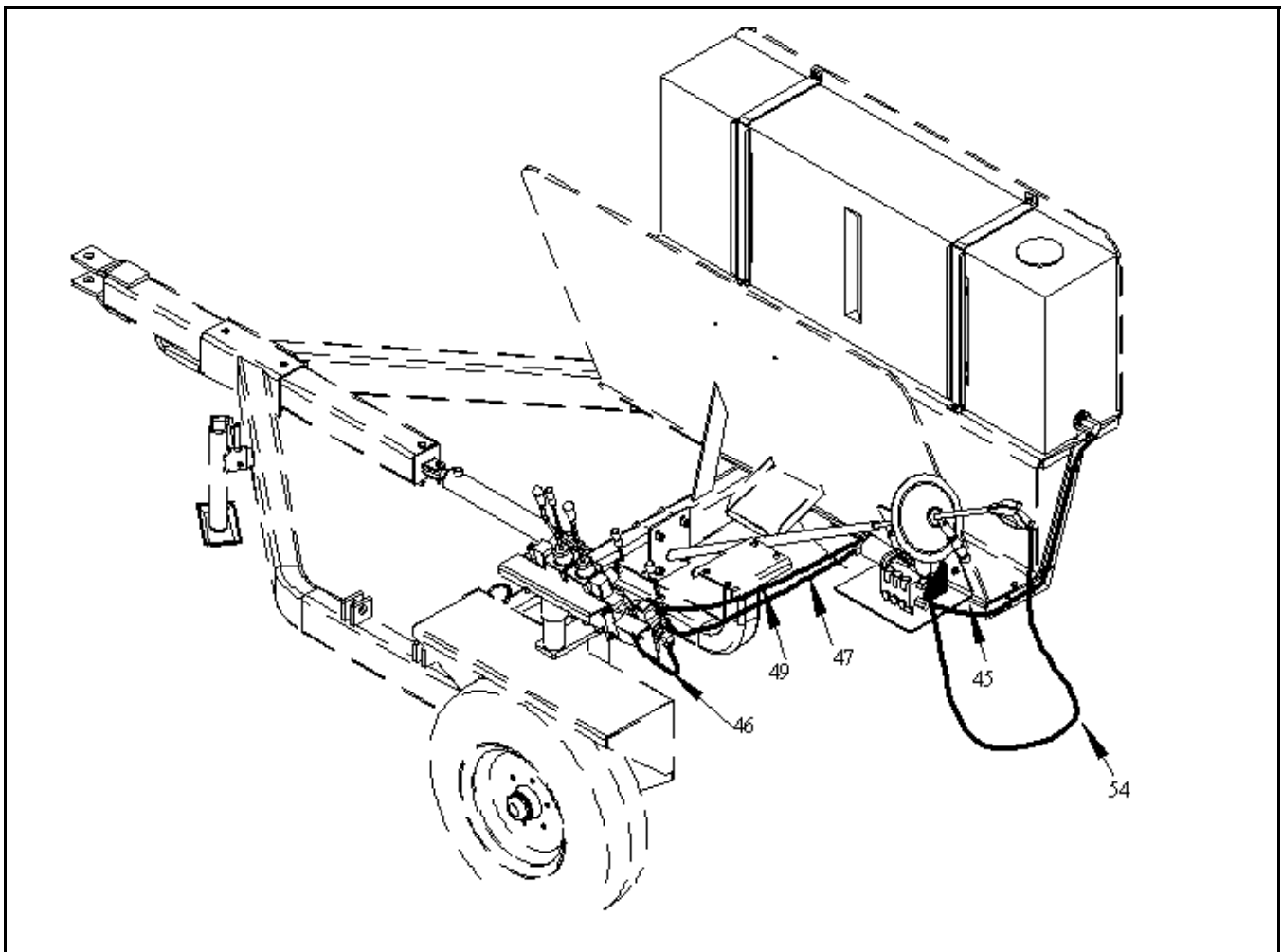


Figure 2.3 Parts Diagram of Hoses for Water Spike Kit

Table 2.1 Parts Listing for Waterspike Kit

Item	Part No.	Description	Qty
1	2309012	Pump/Motor Mounting Bracket	1
2	9900918	FTG, STL, TEE, 1/4 MNPT x 1/4 FNPT x 1/4 FNPT	1
3	1100625	Fitting, Elbow 90, 6MP to 8FPX	1
4	2309002	Pump, 2.3 gpm @ 2000 psi	1
5	2309015	PL, Pump/Motor Adapt, 7 Hole	1
6	1290292	Motor, Hyd, .79 cu in, J-Series	1
7	2309016	PL, Motor/Pump Adapt, 8 Hole	1
8	9900860	Gauge Water Pump 3000 psi	1
9	9900921	Bolt, M6 x 1 x 20 GR8.8 PLD	5
10	9900783	Washer Lock 1/4 Pld.	5
11	no p/n	Socket Head, M6 x 1 x 18 c/w 2309002	4
12	9900586	Bolt, 5/16 x 1-1/2 UNC GR5 PLD	2
13	9900683	Washer Flat 1/4 PLD	10
14	9900520	Nut Nylock 5/16 UNC GR5 PLT	4
15	9900978	Bolt, M8 x 1 x 20 GR8.8 PLD	2
16	9900529	Washer Flat 5/16 PLD	4
17	9900523	Washer Lock 5/16 PLD	2
18	0200326	FTG, STL, ELB45, 6MORB x 6MJIC	4

Table 2.1 Parts Listing for Waterspike Kit

Item	Part No.	Description	Qty
19	2309013	Mount, Single Spool Valve	1
20	2309010	Valve Single Spool	1
21	9900012	FTG, STL, ELB 8MORB x 1/2FNPSM	1
22	2309010-2	Power Beyond Ftg.	1
23	2309009	FTG, STL, 8MORB x 8FJIC SWVL	1
24	2309008	FTG, STL, 10MORB x 8MJIC	1
25	9900096	FTG, STL, ELB, 10MORB x 1/2FNPSM	1
26	2309010-1	Lever, Control	1
30	2309014	Strap, Tank MT	2
31	2309017	Holder Wand Water Spike	1
32	9900896	U-Bolt SQ 1/2NC x 5 x 4-1/2 x 1-1/2 THD GR5 PLD	2
33	9900207	Strainer	1
34	9900602	FTG AL BLKHD w/STL LHT Nut x 3/4FNPT	1
35	9900604	Fitting, Elbow 90, 12MP to 8FPX	1
36	9900608	FTG, STL, Nipple, 8MPT x 8MPT	1
37	9900752	FTG, 3/4MNPT x 1/2FNPT	1
38	0200007-4	Handle Grip	1
39	2309005	Wand WLDT	1
40	2309011	Trigger Gun	1
41	9900865	FTG, STL, CPLR, 1/4NPT	1
42	2309003	Nozzle #2.0	1
43	2309005-4	Splash Guard	1
44	2309022	Protector Water Spike Hose	1
45	H12X32	Hose, HYD, 1/2 x 32", 1/2M/MNPT	1
46	H12X16	Hose, HYD, 1/2 x 16", 1/2M/MNPT	1
47	H38X80	Hose, HYD, 3/8 x 80", 6F/FJIC	1
48	9900102	Sleeve, HYD Motor (1290292)	1
49	H38X78	Hose, HYD, 3/8 x 78", 6F/FJIC	1
50	9900531	Bolt, 3/8 x 1-1/4 UNC GR5 PLD	9
51	0601007	Nut Nylock 3/8 UNC GR5 PLT	9
52	9900538	Nut Nylock 1/2 UNC GR5 PLT	4
53	9900514	Bolt, 5/16 x 2 UNC GR5 PLD	2
54	H14X120	Hose, HYD, 1/4 x 120", 1/4MNPSM (Live) x 3/8 MNPT	1
55	2309006A	Tank Lid, 65 Gallon	1



WARRANTY REGISTRATION

Wheatheart congratulates you on your new equipment purchase.
 The warranty registration form must be filled out within thirty (30) days from delivery date and sent to:
Wheatheart Manufacturing
3455 Idylwyld Dr. N., Saskatoon, Saskatchewan S7L 6B5

CUSTOMER COPY	
(Retain this card for warranty and record purposes.)	
PRODUCT:	DEALER'S NAME:
SERIAL #:	ADDRESS:
DELIVERY DATE:	
OWNER'S NAME:	PHONE #:
ADDRESS:	SIGNATURE:
	INVOICE #:
PHONE #:	(Please refer to invoice # when filing claim)

DEALER COPY	
(Retain this card for warranty and record purposes.)	
PRODUCT:	DEALER'S NAME:
SERIAL #:	ADDRESS:
DELIVERY DATE:	
OWNER'S NAME:	PHONE #:
ADDRESS:	SIGNATURE:
	INVOICE #:
PHONE #:	(Please refer to invoice # when filing claim)

WARRANTY REGISTRATION	
(Must be filled out and returned to Wheatheart within 30 days of delivery.)	
OWNER'S NAME:	DEALER'S NAME:
ADDRESS:	ADDRESS:
PHONE #:	PHONE #:
SIGNATURE:	SIGNATURE:
(I acknowledge the product to be whole and in proper working order.)	(I acknowledge the product to be whole and in proper working order. The owner has been given an operation manual and has been informed on proper operation and maintenance.)
PRODUCT: SERIAL #:	DELIVERY DATE:
INVOICE #:	GAS MOTOR SERIAL #:

LIMITED WARRANTY

Wheatheart warrants to the buyer that the new machinery is free from defects in material and workmanship.

This warranty is only effective for any new machinery that has not been altered, changed, repaired, or treated since its delivery to the buyer, other than by Wheatheart or its authorized dealers or employees, and does not apply to accessories, attachments, tools, or parts sold or operated with the new machinery if they have not been manufactured by Wheatheart.

Wheatheart shall only be liable for defects in the material or workmanship attributed to faulty material or bad workmanship that can be proved by the buyer, and specifically excludes liability for repairs arising as a result of normal wear and tear of the new machinery or in any other manner whatsoever, and without limiting the generality of the foregoing, excludes application or installation of parts not completed in accordance with Wheatheart operation manual, specifications, or printed instructions.

A Warranty Registration Form and Inspection Report must be completed at the time of delivery and returned to Wheatheart Manufacturing within thirty (30) days.

Warranty Period

Private Farm Use	One (1) year from date of purchase.
Commercial, Custom, or Rental Use	Ninety (90) days from date of purchase.
Replacement Parts	Ninety (90) days from date of replacement

Defective parts are subject to inspection by a Wheatheart representative prior to approval of a warranty claim. All returned parts must be sent to the factory, freight pre-paid, in order to qualify for warranty replacement. Repaired or replaced parts will be returned freight collect.

If these conditions are fulfilled, Wheatheart shall at its own cost and its own option either repair or replace any defective parts provided that the buyer shall be responsible for all expenses incurred as a result of repairs, labor, parts, transportation, or any other work, unless Wheatheart has authorized such expenses in advance. Normal wear and service items such as belts, hoses, flashing, etc. are excluded from warranty.

The warranty shall not extend to any repairs, changes, alterations, or replacements made to the new equipment other than by Wheatheart or its authorized dealers or employees.

This warranty extends only to the original owner of the new equipment.

This warranty is limited to the terms stated herein and is in lieu of any other warranties whether expressed or implied, and without limiting the generality of the foregoing, excluded all warranties, expressed or implied, or conditions whether statutory or otherwise as to quality and fitness for any purpose of the new equipment, Wheatheart disclaims all liability for incidental or consequential damages.

This machine is subject to design changes and Wheatheart shall not be required to retro-fit or exchange items on previously sold units except at its own option.

WARRANTY VOID IF NOT REGISTERED

WHEATHEART

Wheatheart

Part of the Ag Growth International Inc. Group

3455 Idylwyld Drive North

Saskatoon, Saskatchewan, Canada

Phone: (306) 934-0611

Fax: (306) 934-6020

Toll Free: (877) 934-0649 (Canada & USA)

website: www.wheatheart.com

email: sales@wheatheart.com

© Ag Growth International Inc. 2013



Printed in Canada